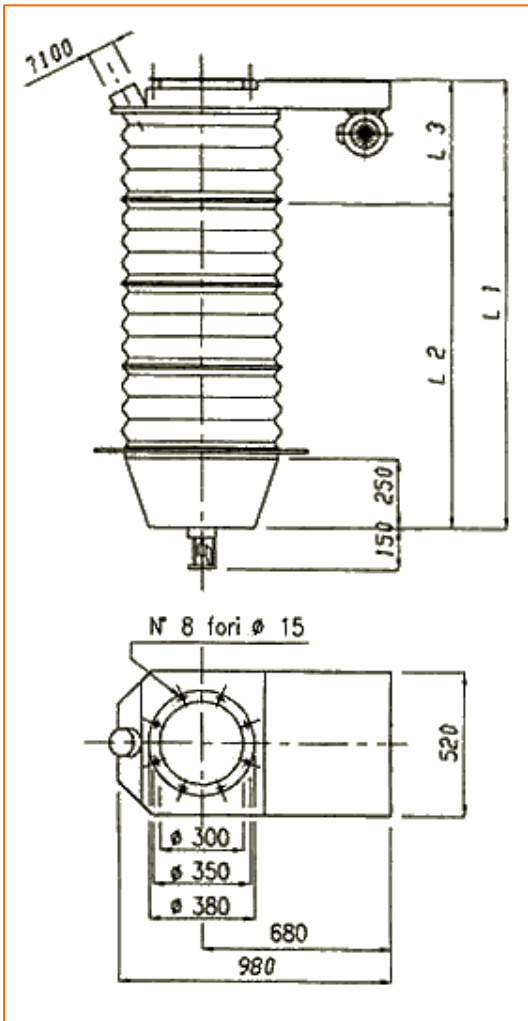
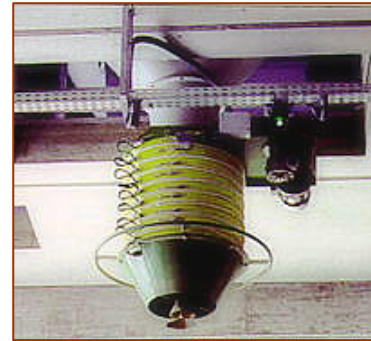


Type P30



The retractable bulk loading spouts are designed to provide a safer, cleaner and more cost effective way of handling grain, feed compounds, cement, coal, chemicals, mineral and other dry bulk materials where dust is generated during loading into road or rail wagons, ships or into stockpiles.



	L1	L2	L3	kW
1	700	225	475	0.55
2	1000	450	550	0.55
3	1300	675	625	0.55
4	1600	900	700	0.55
5	1900	1125	775	0.55
6	2200	1350	850	0.55
7	2500	1575	925	0.55
8	2800	1800	1000	0.55
9	3100	2025	1075	0.55
10	3400	2250	1150	0.55
11	3700	2475	1225	0.55
12	4000	2700	1300	0.55
13	4300	2925	1375	0.55
14	4600	3150	1450	0.55