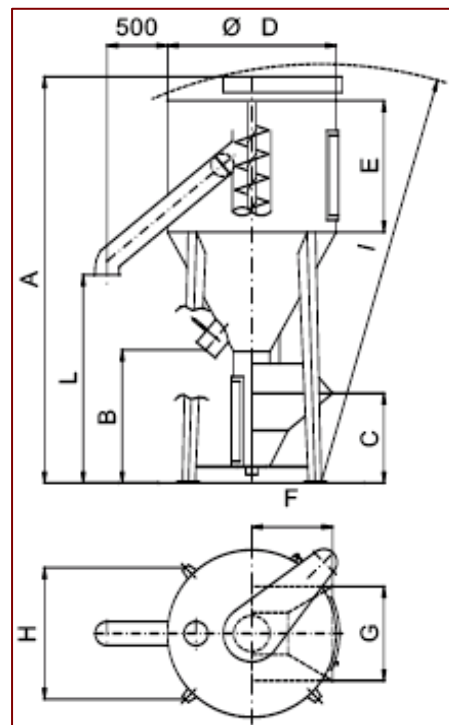


Mixing Silos



Standard equipment:

- Loading hopper
- Inspection door on cylinder
- Motor, transmissions with safety case
- Control panel
- Painting Green RAL 6011 or Grey RAL 7035



TECHNICAL DATA mod. TV (in painted carbon steel)

Capacity Useful		A	B	C	D	E	F	G	H	I	L	kW	Net kg
Litre	Kg												
TV/500	300	2500	1000	640	1000	650	560	660	1100	2700	-	1,5	248
TV/1000	600	2900	1150	700	1200	800	580	720	1100	3100	-	2,2	330
TV/1800	1000	3400	1150	750	1400	1100	670	790	1150	3600	1600	4,0	448
TV/2500	1500	3700	1150	830	1600	1250	740	900	1450	3900	1700	5,5	583
TV/3500	2000	3950	1150	830	1700	1500	740	900	1320	4350	2100	7,5	671
TV/5000	3000	4400	1150	830	1900	1800	740	900	1650	4800	2200	9,0	921
TV/8000	5000	5000	1150	830	2200	2000	740	900	1800	5500	2600	11,0	1176
TV/10000	6000	5500	1150	830	2200	2500	740	900	1800	6100	3000	11,0	1300
TV/12000	7500	6100	1150	830	2200	3000	740	900	1800	6650	3500	15,0	1500
TV/16500	10000	6700	1150	1000	2500	3300	800	1000	1950	7200	4500	15,0	1700
TV/20000	12000	7400	1150	1000	2500	4000	800	1000	1950	7900	5000	15,0	2890
TV/28000	17000	7700	1150	1000	2950	3800	800	1000	2090	8200	4800	18,5	3300

TECHNICAL DATA mod. TX (in stainless steel)

Capacity Useful		A	B	C	D	E	F	G	H	I	L	kW
Litre	Kg											
TX/500	300	2540	1070	670	1000	650	600	650	960 x 1120	2650	-	1,5
TX/1000	600	2900	1175	700	1400	570	650	750	1100	3060	-	2,2
TX/1800	1000	3450	1175	700	1400	1100	650	750	1150	3600	1500	4,0
TX/2500	1500	3555	1170	800	1900	700	750	900	1450	4000	1200	5,5
TX/3500	2000	3905	1170	800	1900	1050	750	900	1320	4250	1500	7,5
TX/5000	3000	4505	1170	800	1900	1650	750	900	1650	4800	2100	9,0
TX/8000	5000	4825	1170	800	2400	1500	750	900	1800	5000	2200	11,0
TX/12000	7500	5725	1170	800	2400	2400	750	900	1800	6150	3100	15,0
TX/16500	10000	6725	1170	800	2400	3400	750	900	1950	7100	4100	15,0
TX/20000	12000	7550	1170	830	2400	4200	750	900	1950	7700	4900	15,0
TX/28000	17000	7700	1170	830	2950	3800	750	900	2090	8200	4800	18,5