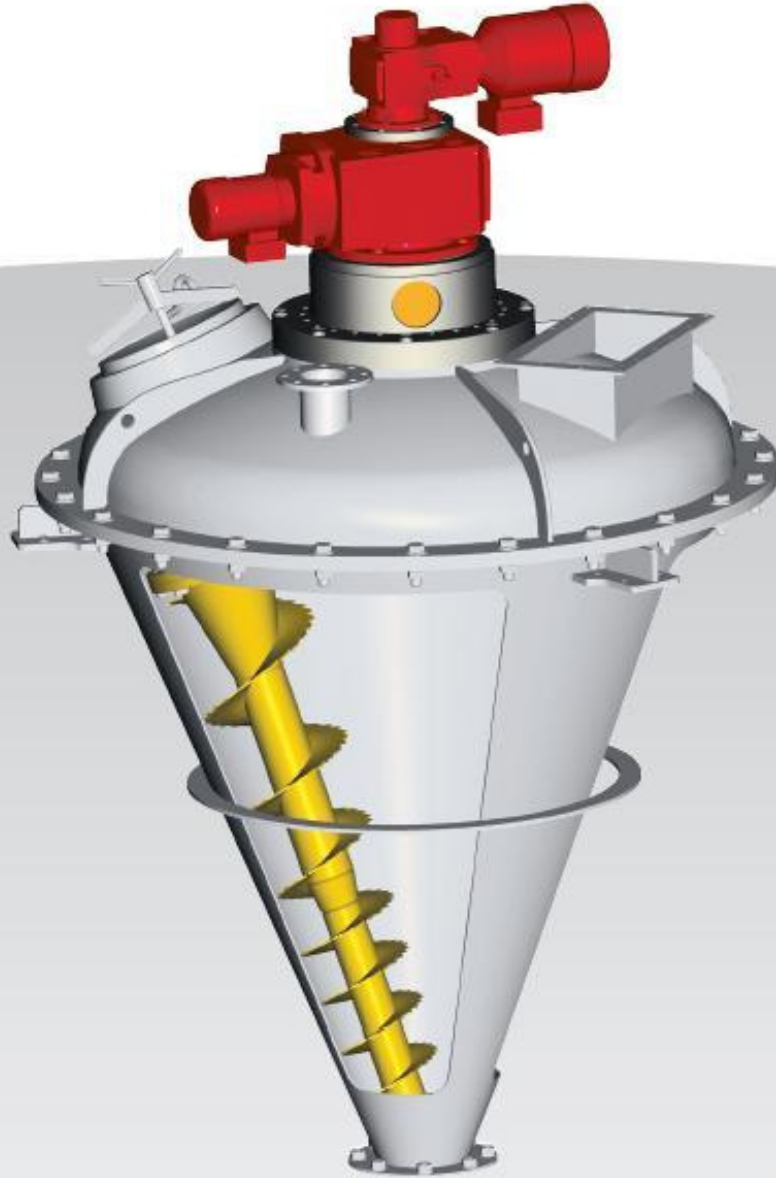
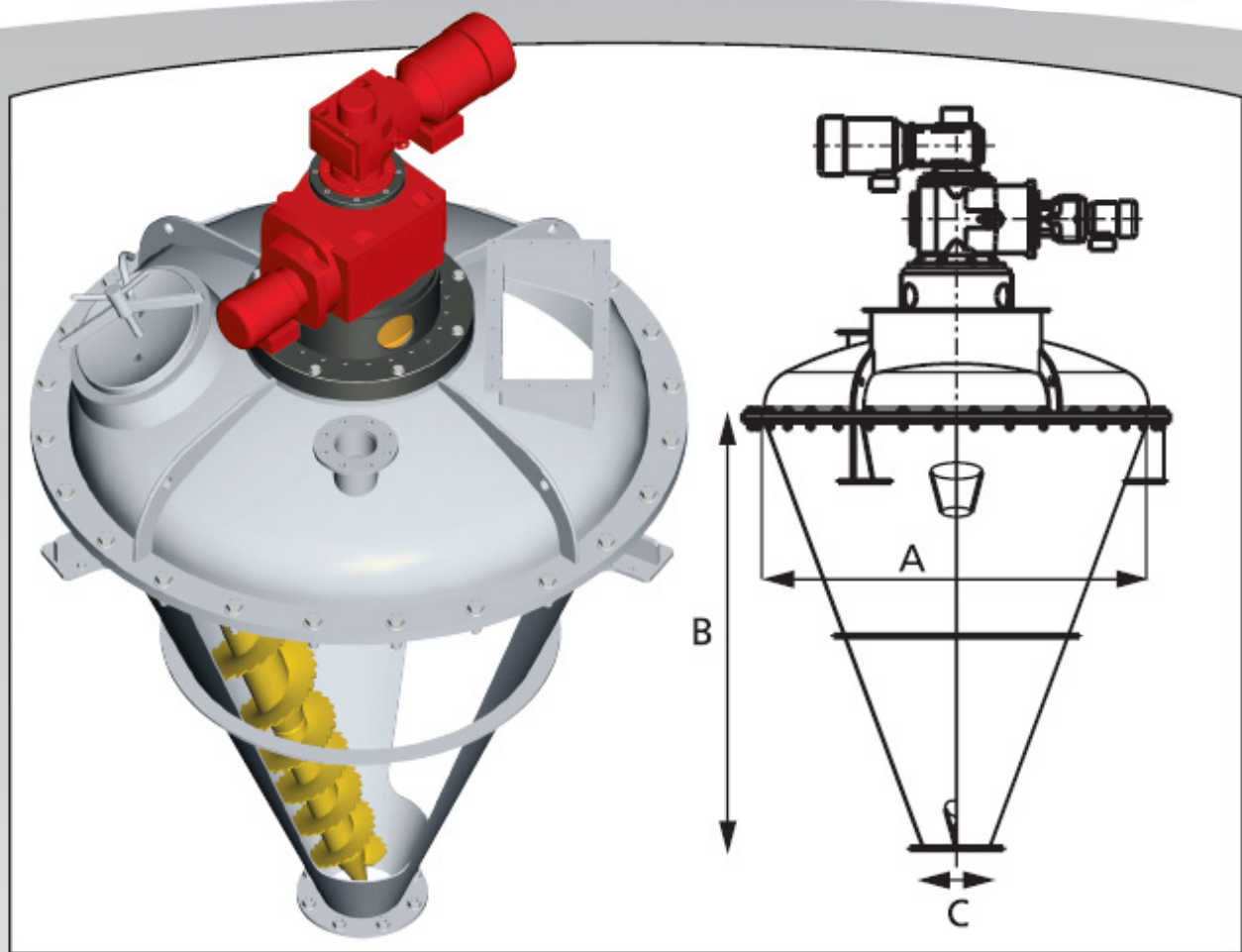


CONICAL MIXER



Conical Mixer

Technical data



| Type | Useful Volume [lt] | Geometrical Volume [lt] | Ø A [mm] | B [mm] | Ø C [mm] | Drive Gear Rotating Agitator | | Drive Gear Mixing Screw | |
|-------------|--------------------|-------------------------|----------|--------|----------|------------------------------|-------------|-------------------------|-------------|
| | | | | | | P Arm [kW] | Speed [rpm] | P Screw [kW] | Speed [rpm] |
| KM06 | 650 | 980 | 1500 | 1500 | 150 | 0,37 | 1 | 2,2 | 70 |
| KM09 | 850 | 1223 | 1600 | 1600 | 150 | 0,55 | 1 | 2,2 | 62 |
| KM12 | 1200 | 1714 | 1800 | 1800 | 200 | 0,75 | 1 | 3,0 | 63 |
| KM18 | 1800 | 2388 | 2000 | 2000 | 250 | 0,75 | 1 | 4,0 | 59 |
| KM24 | 2400 | 3139 | 2200 | 2200 | 250 | 1,1 | 1 | 5,5 | 58 |
| KM32 | 3200 | 4126 | 2400 | 2400 | 300 | 1,1 | 1 | 5,5 | 58 |
| KM50 | 5000 | 6425 | 2800 | 2800 | 300 | 1,5 | 1 | 5,5 | 46 |
| KM62 | 6200 | 7842 | 3000 | 3000 | 300 | 1,5 | 1 | 5,5 | 46 |
| KM75 | 7500 | 9453 | 3200 | 3200 | 300 | 1,5 | 1 | 5,5 | 42 |