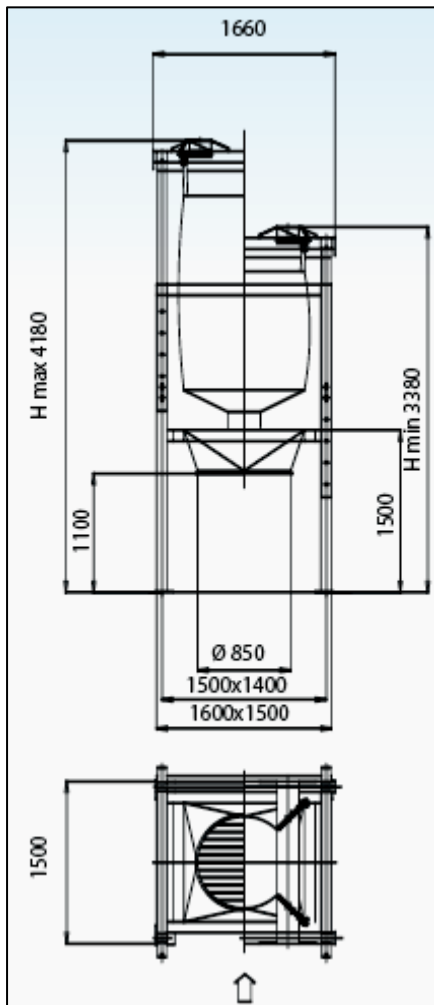




Max. dimensions of Big-Bag: mm
1100 x 1100 x 1800



Execution in painted carbon steel
or stainless steel

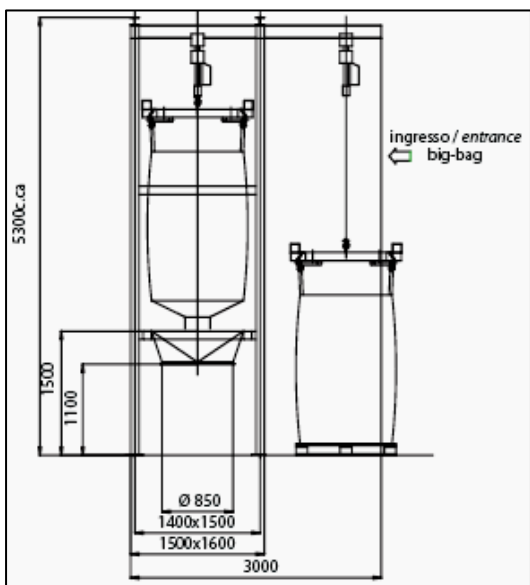
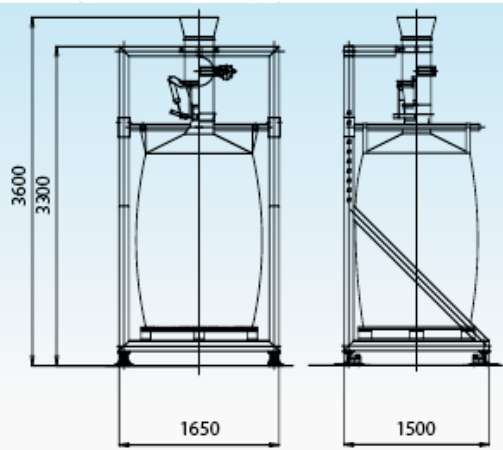


Entrance big-bag



Filling and Emptying Systems

Big-Bag filling unit with dosing and weighing automatic system



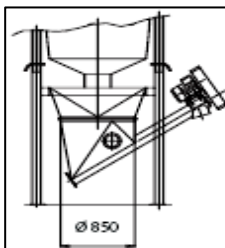
Big-Bag system with motorized lifting equipment

Big-Bag emptying unit with screw extractor

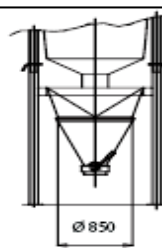


Unloading / extraction types

Screw extraction



Unloading cone with manual valve



Unloading cone with rotary valve for pneumatic line

